

PRODUCTS CATALOGUE

"AT EASE IN YOUR CONSTRUCTION SITE"

www.ritmo.it





Ritmo meets all your welding needs in your jobsite



The information and photos in this publication are not binding and RITMO S.P.A. is free to make any alterations without prior notice.

A DVANTAGE

RITMO



RITMO WORLDWIDE

Ritmo has professional distributors and resellers all over the world. Our staff is ready to assist you in English, Spanish, French, German, Arab, Italian, Russian and Portuguese.

TRAINING

From many years now, we have decided that the best way to grant a client/distributor a perfect knowledge of our products is to invest in custom training, in our own premises. These courses are aimed to teach how to operate the products in the best way, and how to supply the "first aid" when necessary.

PRESALES TECHNICAL ASSISTANCE

When a client or a potential client wants to buy us a product, it is our standard procedure to help find the best solution to its needs.

GLOBAL ADVICE

In such a technical field as ours, the customer requires the best assistance. Thanks to the experience developed along the years, and to the co-operation with several manufacturers, institutions, schools and training institutes, RITMO is able to give the most comprehensive advice to no matter which related issue. Our company is a long-time member of a UNIPLAST's (UNI-Italian National Plastics Standards Body) working group dedicated to the study and draw up of new standards within our field. The importance of this group is linked to the fact that the expansion of the plastic welding field ought to be followed by a crescent sensitivity for safety issues, so to have a sustainable and continuous growth. The working group prepares draws, hence present them to the UNI to be discussed and eventually transformed into new standards.

AFTER SALES TECHNICAL ASSISTANCE

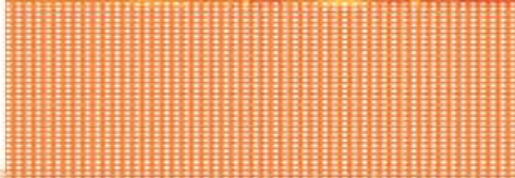
Ritmo's Service Centre can solve all kind of technical issues, as well as overhaul our machines. Ritmo has other Service Centres abroad, linked to its official distributors.

STARTING AND TESTING

RITMO' technicians are prepared to make the starting and testing of workshop machines at the client' own premises, so that the fittings production can start almost immediately.



Ritmo
PLASTIC WELDING TECHNOLOGY



RITMO'S BUTT FUSION MACHINES: WORK PHILOSOPHY AVAILABLE TO EVERYONE!

- **MANUAL**

welding machines without hydraulic gearcase



- **HYDRAULIC**

welding machines with hydraulic gearcase



- **EASY LIFE SYSTEM** *HIGH LEVEL PERFORMANCE*

automated welding cycle

welding machines with special hydraulic gearcase

Hardware and Software interact to the entire workflow

repetition of welding cycles

GPS, data-logging and report PDF



- **ALL TERRAIN** *HIGH LEVEL PERFORMANCE*

self-contained generator on board

self-propelled

trolley with wheels

welding machines with special hydraulic gearcase

automated welding cycle

Hardware and Software interact to the entire workflow

repetition of welding cycles

GPS, data-logging and report PDF



- **CNC** *HIGH LEVEL PERFORMANCE*

automatic welding cycle

special hydraulic gearcase and machine body with

integrated mechanical extraction of heating plate

Hardware and Software interact to the entire workflow

repetition of welding cycles

GPS, data-logging and report PDF



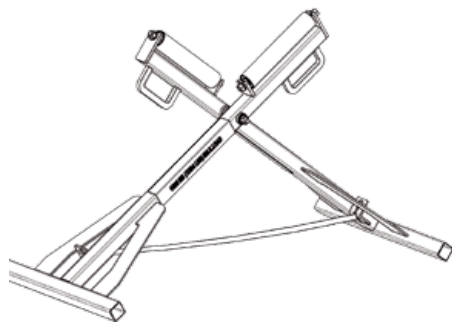
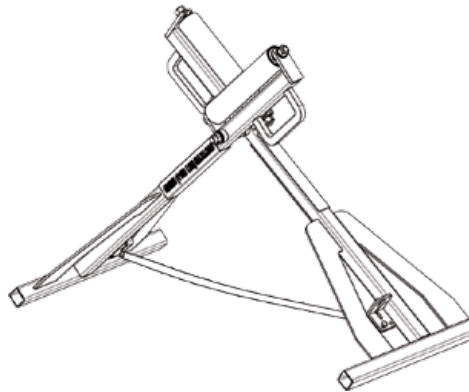


HS ROLLERS

HIGH STAND ROLLERS, this device is essential for supporting the pipes while they are being welded with the butt fusion machines. The rollers minimise pipe friction and drag force no matter which is the construction site condition. Special design for All Terrain / Trailer Line.

HS ROLLERS 250

Working range max: \varnothing 250 mm (8" DIPS)
 Overall dimension (W x D x H):
 1150 x 500 x 756 mm
 45.3" x 19.7" x 29.7"
 Weight: 26 Kg 57.3 lb
 Weight capacity: 500 Kg 1.100 lb

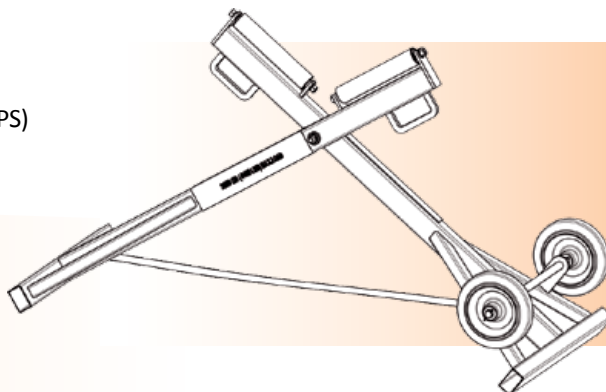


HS ROLLERS 355

Working range max: \varnothing 355 mm (14" IPS)
 Overall dimension (W x D x H):
 1421 x 600 x 818 mm
 55.9" x 23.6" x 32.2"
 Weight: 33 Kg 72.8 lb
 Weight capacity: 1000 Kg 2.200 lb

HS ROLLERS 630

Working range max: \varnothing 630 mm (24" DIPS)
 Overall dimension (W x D x H):
 1766 x 800 x 982 mm
 69.5" x 31.5" x 38.6"
 Weight: 55 Kg 121.2 lb
 Weight capacity: 2000 Kg 4.400 lb



BUTT FUSION MACHINES REFERENCE



WORKING RANGE Ø mm	32	40	50	63	75	90	110	125	140	160	180	200	225	250	280	315	355	400	450	500	560	630	710	800	900	1000	1200	1400	1600
GAMMA 160		40	50	63	75	90	110	125	140	160																			
DELTA 160 M	32	40	50	63	75	90	110	125	140	160																			
DELTA 200 M				63	75	90	110	125	140	160	180	200																	
BASIC 160		40	50	63	75	90	110	125	140	160																			
BASIC 200				63	75	90	110	125	140	160	180	200																	
BASIC 250					75	90	110	125	140	160	180	200	225	250															
BASIC 315						90	110	125	140	160	180	200	225	250	280	315													
BASIC 355								125	140	160	180	200	225	250	280	315	355												
COMPACT 355								125	140	160	180	200	225	250	280	315	355												
BASIC 160 EASY LIFE		40	50	63	75	90	110	125	140	160																			
BASIC 200 EASY LIFE				63	75	90	110	125	140	160	180	200																	
BASIC 250 EASY LIFE					75	90	110	125	140	160	180	200	225	250															
BASIC 315 EASY LIFE						90	110	125	140	160	180	200	225	250	280	315													
BASIC 355 EASY LIFE								125	140	160	180	200	225	250	280	315	355												
DELTA 500 EASY LIFE												200	225	250	280	315	355	400	450	500									
DELTA 630 EASY LIFE															280	315	355	400	450	500	560	630							
DELTA 500												200	225	250	280	315	355	400	450	500									
DELTA 630															280	315	355	400	450	500	560	630							
DELTA 800																				500	560	630	710	800					
DELTA 1000																						630	710	800	900	1000			
DELTA 1200																							710	800	900	1000	1200		
DELTA 1600																								800	900	1000	1200	1400	1600
DELTA 250 TRAILER					75	90	110	125	140	160	180	200	225	250															
DELTA 355 TRAILER								125	140	160	180	200	225	250	280	315	355												
DELTA 355 ALL TERRAIN								125	140	160	180	200	225	250	280	315	355												
DELTA 500 TRAILER												200	225	250	280	315	355	400	450	500									
DELTA 500 ALL TERRAIN												200	225	250	280	315	355	400	450	500									
DELTA 630 TRAILER													225	250	280	315	355	400	450	500	560	630							
DELTA 630 ALL TERRAIN													225	250	280	315	355	400	450	500	560	630							
DELTA 1000 TRAILER																315	355	400	450	500	560	630	710	800	900	1000			
DELTA DRAGON 250 CNC					75	90	110	125	140	160	180	200	225	250															
DELTA DRAGON 315 CNC						90	110	125	140	160	180	200	225	250	280	315													
WORKING RANGE Ø mm	32	40	50	63	75	90	110	125	140	160	180	200	225	250	280	315	355	400	450	500	560	630	710	800	900	1000	1200	1400	1600

CTS	IPS																																						
	1"	1¼"	1½"	2"	1"	1¼"	1½"	2"	3"	4"	5"	6"	8"	10"	12"	14"	16"	18"	20"	22"	24"	26"	28"	30"	32"	34"	36"	42"	48"	52"	54"	63"							
GAMMA 160																																							
DELTA 160 M	•	•	•	•	•	•	•	•	•	•	•	•	•																										
DELTA 200 M																																							
BASIC 160																																							
BASIC 200																																							
BASIC 250																																							
BASIC 315																																							
BASIC 355																																							
COMPACT 355																																							
BASIC 160 EASY LIFE																																							
BASIC 200 EASY LIFE																																							
BASIC 250 EASY LIFE																																							
BASIC 315 EASY LIFE																																							
BASIC 355 EASY LIFE																																							
DELTA 500 EASY LIFE																																							
DELTA 630 EASY LIFE																																							
DELTA 500																																							
DELTA 630																																							
DELTA 800																																							
DELTA 1000																																							
DELTA 48"																																							
DELTA 1600																																							
DELTA TRAILER 250																																							
DELTA 355 TRAILER																																							
DELTA 355 ALL TERRAIN																																							
DELTA 500 TRAILER																																							
DELTA 500 ALL TERRAIN																																							
DELTA 630 TRAILER																																							
DELTA 630 ALL TERRAIN																																							
DELTA 1000 TRAILER																																							
IPS																																							

DIPS																		
	3"	4"	6"	8"	10"	12"	14"	16"	18"	20"	24"	30"	36"	42"	48"	54"	60"	
GAMMA 160																		
DELTA 160 M	•	•																
DELTA 200 M	•	•	•															
BASIC 160	•	•																
BASIC 200	•	•	•															
BASIC 250	•	•	•	•														
BASIC 315	•	•	•	•	•													
BASIC 355	•	•	•	•	•	•												
COMPACT 355	•	•	•	•	•	•	•											
BASIC 160 EASY LIFE	•	•																
BASIC 200 EASY LIFE	•	•	•															
BASIC 250 EASY LIFE	•	•	•	•														
BASIC 315 EASY LIFE	•	•	•	•	•													
BASIC 355 EASY LIFE	•	•	•	•	•	•												
DELTA 500 EASY LIFE																		
DELTA 630 EASY LIFE																		
DELTA 500																		
DELTA 630																		
DELTA 800																		
DELTA 48"																		
DELTA 1600																		
DELTA TRAILER 250	•	•	•	•														
DELTA 355 TRAILER	•	•	•	•	•													
DELTA 355 ALL TERRAIN	•	•	•	•	•	•												
DELTA 500 TRAILER	•	•	•	•	•	•												
DELTA 500 ALL TERRAIN	•	•	•	•	•	•	•											
DELTA 630 TRAILER	•	•	•	•	•	•	•											
DELTA 630 ALL TERRAIN	•	•	•	•	•	•	•	•										
DELTA 1000 TRAILER	•	•	•	•	•	•	•	•										
DIPS																		



RITMO S.p.A.

Via A. Volta, 35/37 - 35037
Bresseo di Teolo (PADOVA) ITALY

Ph. +39 049 9901888
Fax +39 049 9901993

info@ritmo.it
www.ritmo.it



Watch
the Corporate Video